

AKD 2 Metre TRANSCEIVER MODEL 2001 SPECIFICATIONS

SCHEMATHEEK
Beh. T. Hultermans
Postbus 4228
5604 EE Eindhoven

ACCESSORIES

GENERAL:

MODULATION	FM
FREQ RANGE	144.5 — 146 MHz
SUPPLY VOLTAGE	13.8 v \pm 10%
CHANNEL SPACING	12.5 KHz
SPEAKER	8 Ω INTERNAL
OP'TING TEMP RANGE	-10° to +50°c
FREQ STABILITY	\pm 1.5 KHz
TX-RX VOLTAGE CHANGEOVER	Relay Operated

TRANSMITTER:

RF OUTPUT POWER	25 WATTS (High)
RF OUTPUT POWER	5 WATTS (Low)
SUPPLY CURRENT	4 AMPS (High Power)
SUPPLY CURRENT	2 AMPS (Low Power)
HARMONIC CONTENT	< 1 μ w
AUDIO DISTORTION	Less than 3%
AUDIO RESPONSE	6db / octave pre-emphasis over range 300Hz to 3KHz
DEVIATION	\pm 4KHz

RECEIVER:

SENSITIVITY	Better than 0.3 μ V for 12 db SINAD
ADJ CHANNEL SENSITIVITY	60 db
BLOCKING	90 db
IMAGE RESPONSE	70 db
AUDIO RESPONSE	6db / octave de-emphasis over range 300Hz to 3KHz
AUDIO OUTPUT	2 WATTS

REPEATER OPERATION:

TONE BURST GENERATOR	0.5 sec of 1750 \pm 2Hz TONE
SEMI DUPLEX OP ON CH	00-07
SHIFT CAN BE CANCELLED FOR " LISTEN ON INPUT "	

CONNECTIONS:

ANTENNA	SO 239 SOCKET on rear
SUPPLY	In line fused 5 AMP
PTT MIC	Socket on front panel
EXT SPEAKER (not supplied)	Socket on front panel

PACKET RADIO

Proms are available to allow the transceiver to power up on a PACKET channel. The advantage is that in a power down situation the unit, on power up will not be transmitting on the calling channel.

These proms may be ordered by quoting either the channel required or the frequency.

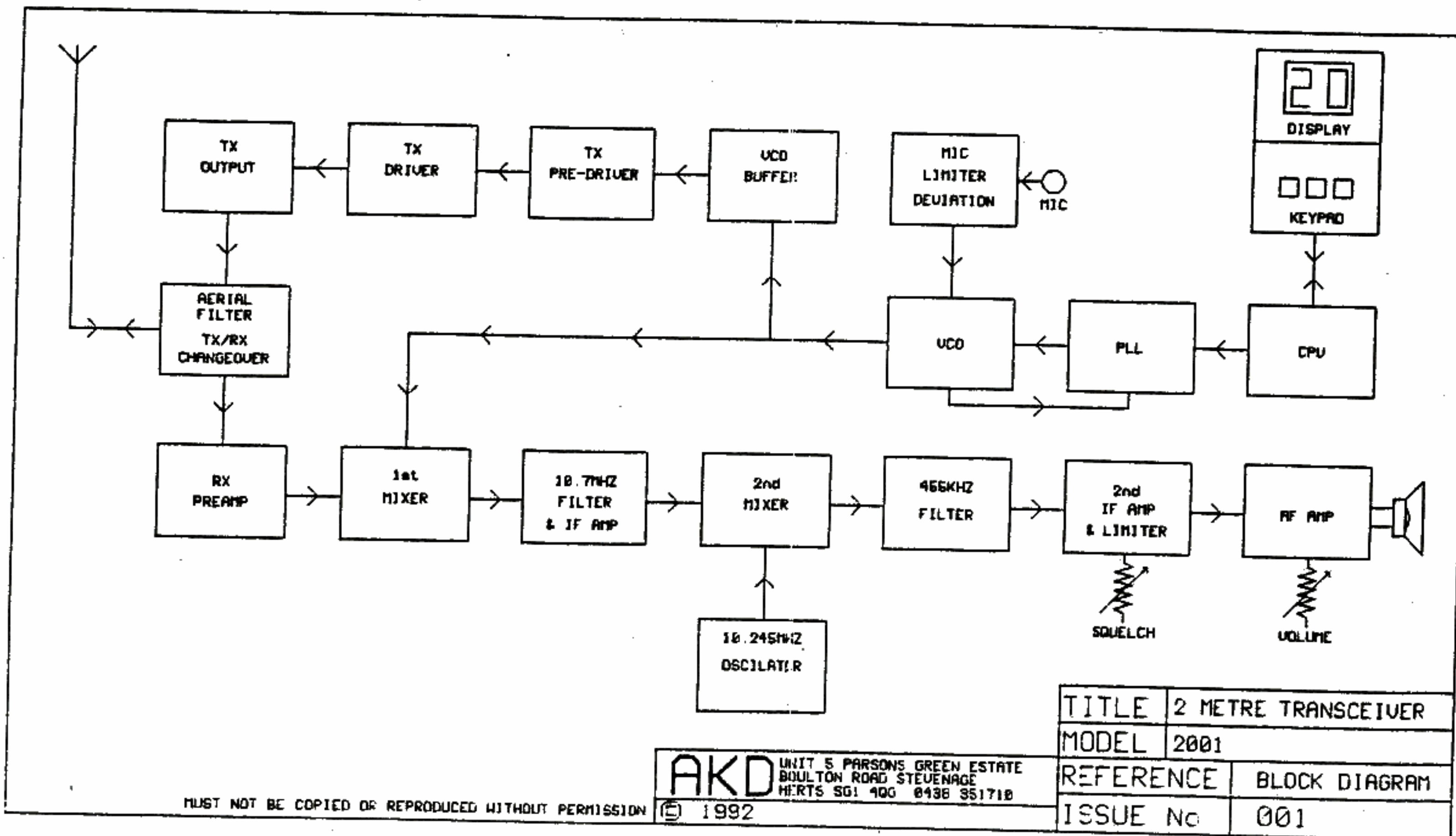
The proms are easily installed by removing the top cover of the transceiver and unplugging the existing prom and plugging in the replacement into the socket. It is advisable to note the orientation of the original prom and to make sure the pins are not deformed prior to installation.

WARRANTY WILL NOT BE VOID UPON INSTALLATION OF PROMS BY THE USER.

POWER SUPPLY (NOT OF AKD MANUFACTURE)

A Bench Top type power supply, capable of powering the transceiver is available from AKD.

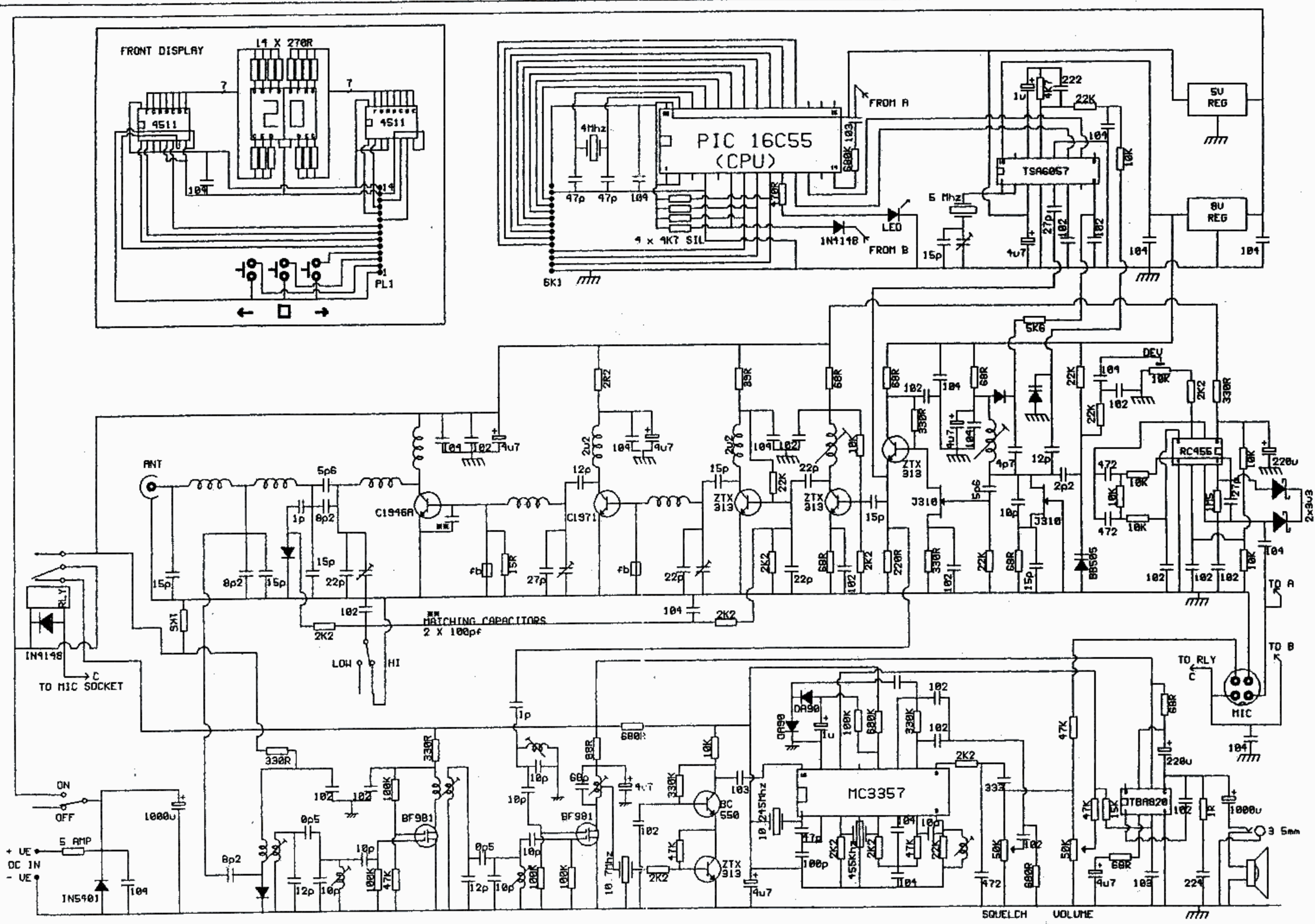
AKD Reserve the right to alter specification without notice
E & O E



TITLE	2 METRE TRANSCEIVER
MODEL	2001
REFERENCE	BLOCK DIAGRAM
ISSUE No	001

AKD UNIT 5 PARSONS GREEN ESTATE
BOULTON ROAD STEVENAGE
HERTS SG1 40G 0436 351710
© 1992

MUST NOT BE COPIED OR REPRODUCED WITHOUT PERMISSION



SCHEMATHEEK
 Beh. T. Hultermans
 Postbus 4228
 5604 EE Eindhoven

AKD UNIT 5 PARSONS GREEN ESTATE
 BOULTON ROAD STEVENAGE
 HERTS SG1 4QG 01438 361710
 © 1995 AKD RESERVE THE RIGHT TO ALTER
 SPECIFICATIONS WITHOUT NOTICE

TITLE	2 METRE TRANSCEIVER
MODEL	2001N
REFERENCE	SCHEMATIC DIAGRAM
ISSUE No.	001-N

MUST NOT BE COPIED OR

ION